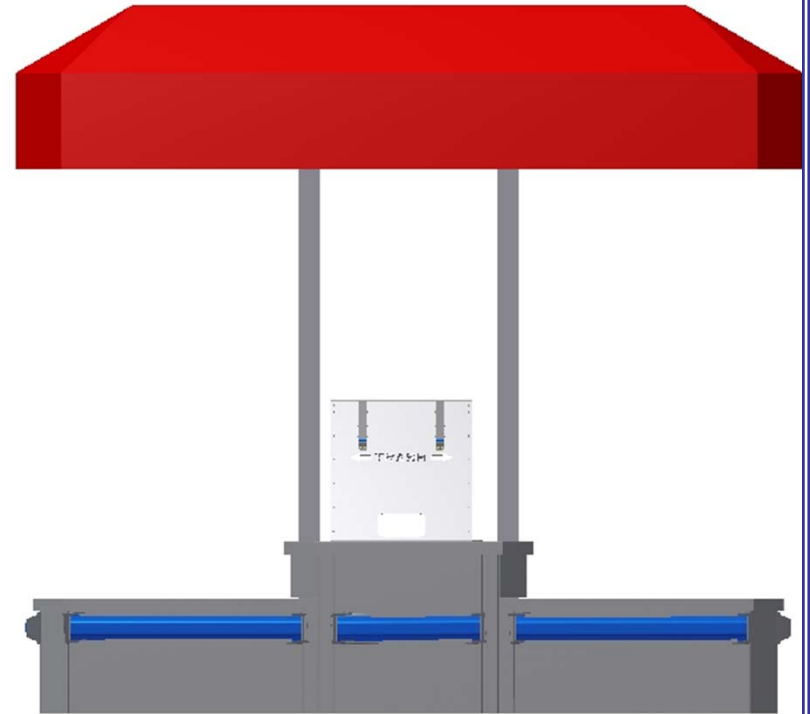




Models- 32008, 32010 & 32012 Islands
& stand alone canopies

Page 2	Product Information
Page 3	Specifications
Page 4	Important Safety and General Information
Page 5	Assembled Dimensions-12ft Island with Canopy
Page 6-9	Assembly-12ft Island with Canopy
Page 10	Assembled Dimensions-10ft Island with Canopy
Page 11-14	Assembly-10ft Island with Canopy
Page 15	Assembled Dimensions-8ft Island with Canopy
Page 16-19	Assembly-8ft Island with Canopy
Page 20	Assembled Dimensions-12ft Canopy, No Island
Page 21-22	Assembly-12ft Canopy, No Island
Page 23	Assembled Dimensions-10ft Canopy, No Island
Page 24-25	Assembly-10ft Canopy, No Island
Page 26	Assembled Dimensions-8ft Canopy, No Island
Page 27-28	Assembly-8ft Canopy, No Island
Page 29	General Wiring



PRODUCT INFORMATION

Please take a moment to fill out the information below in order to aid us with any future sales or service inquiries. Model number and serial number information can be found on the serial tag located inside the control box and/or on the lower exterior of the can. Key number can be found on the tag that comes attached to the keys. There may be more than one key number depending on unit.

Please keep this information with your records.

MODEL#: _____

SERIAL#: _____

KEY NUMBER(S): _____

DATE PURCHASED: _____

DISTRIBUTOR: _____

J.E. Adams Industries
1025 63rd Ave. S.W.
Cedar Rapids, IA 52404
1-800-553-8861
www.jeadams.com

Specifications

32012 SERIES

Specifications:

120VAC @ 60HZ

(1) 10amp for canopy lighting

(2) 20 or 30amp services required. Generally If unit is a 2 motor a 20amp service is required. Generally If unit is a 3 motor a 30amp service is required. No exceptions.

32010 SERIES

Specifications:

120VAC @ 60HZ

(1) 10amp for canopy lighting

(2) 20 or 30amp services required. Generally If unit is a 2 motor a 20amp service is required. Generally If unit is a 3 motor a 30amp service is required. No exceptions.

32008 SERIES

Specifications:


120VAC @ 60HZ

(1) 10amp for canopy lighting

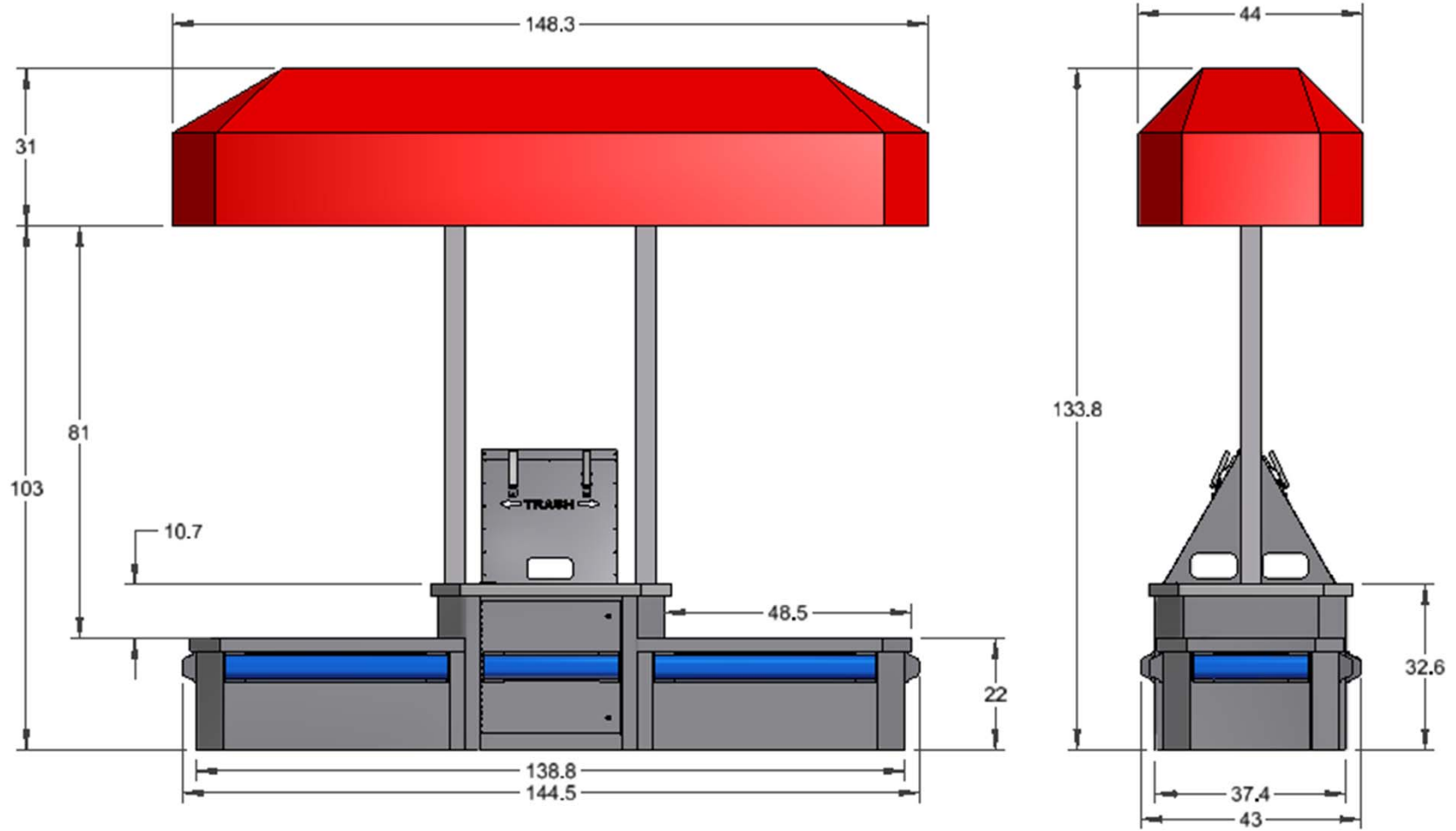
(1) 20 or 30amp services required. Generally If unit is a 2 motor a 20amp service is required. Generally If unit is a 3 motor a 30amp service is required. No exceptions.

IMPORTANT SAFETY AND GENERAL INFORMATION

READ ALL INSTRUCTIONS BEFORE PLACING OR HOOKING UP ELECTRICAL

- Place islands on a hard level surface. Failure to do so may cause base to sink or base to tilt and structure to become unsafe.
- Do not place island or canopies near low lying tree limbs, electrical lines or any other aerial obstructions that may touch structure.
- Do not place canopy or islands near any transformers or any other structure that may interfere with direct access to island.
- Wire units as specified under specifications and or electrical installation. **IT IS HIGHLY RECOMMENDED THAT THE ELECTRICAL BE INSTALLED BY A LICENSED ELECTRICIAN. BY NOT INSTALLING AS RECOMMENDED MAY RESULT IN INJURY OR FAILURE TO EQUIPMENT.** 
- Do not fill islands with concrete. Unit is designed so external panels may be replaced if damaged.
- Canopies lighting are led. No blubs are required. Just wire lights and turn on.
- When assembling and placing island and canopy at least 2 people are recommended to aid in the installation.
- Islands are shipped in three sections and are intended to be installed on site. Hardware is provide to attach all sections.

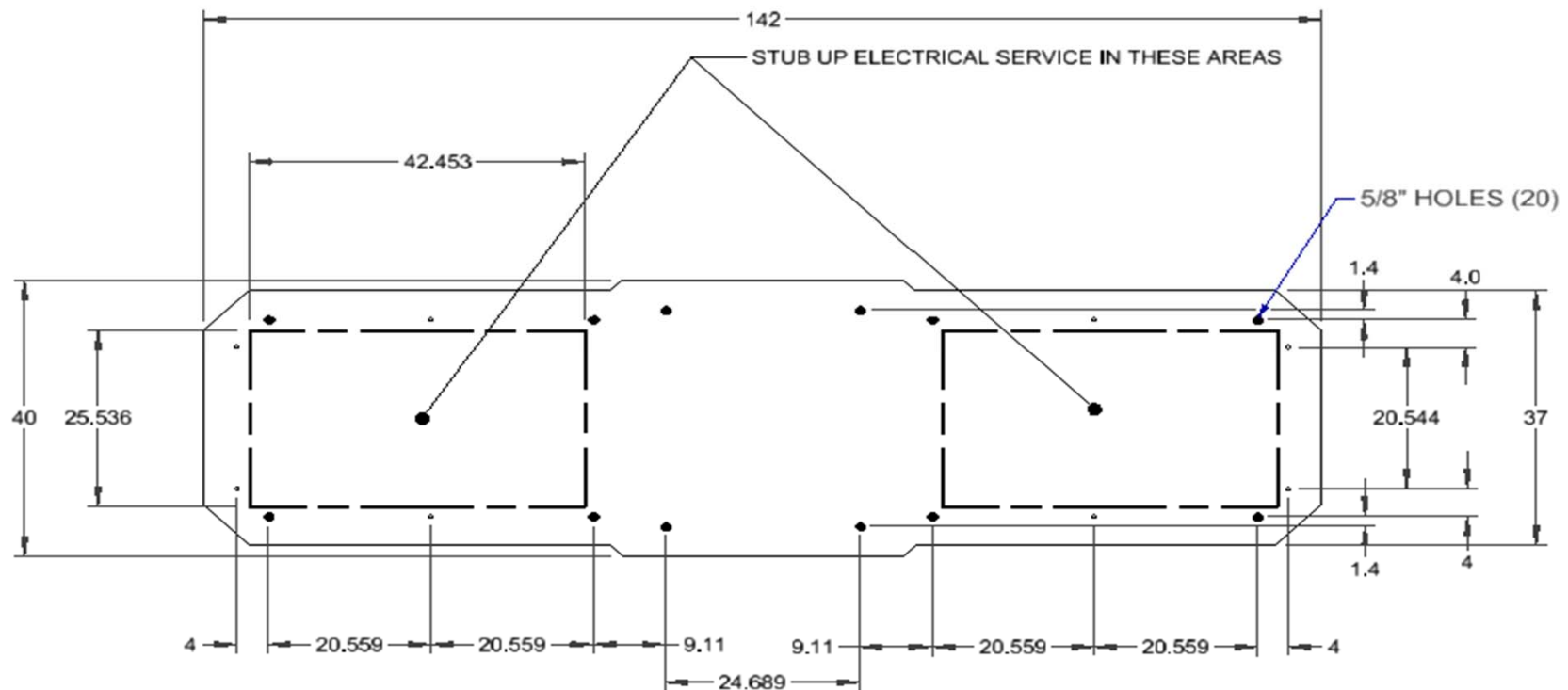
Assembled Dimensions- 12ft Island with Canopy



All dimensions are in inches

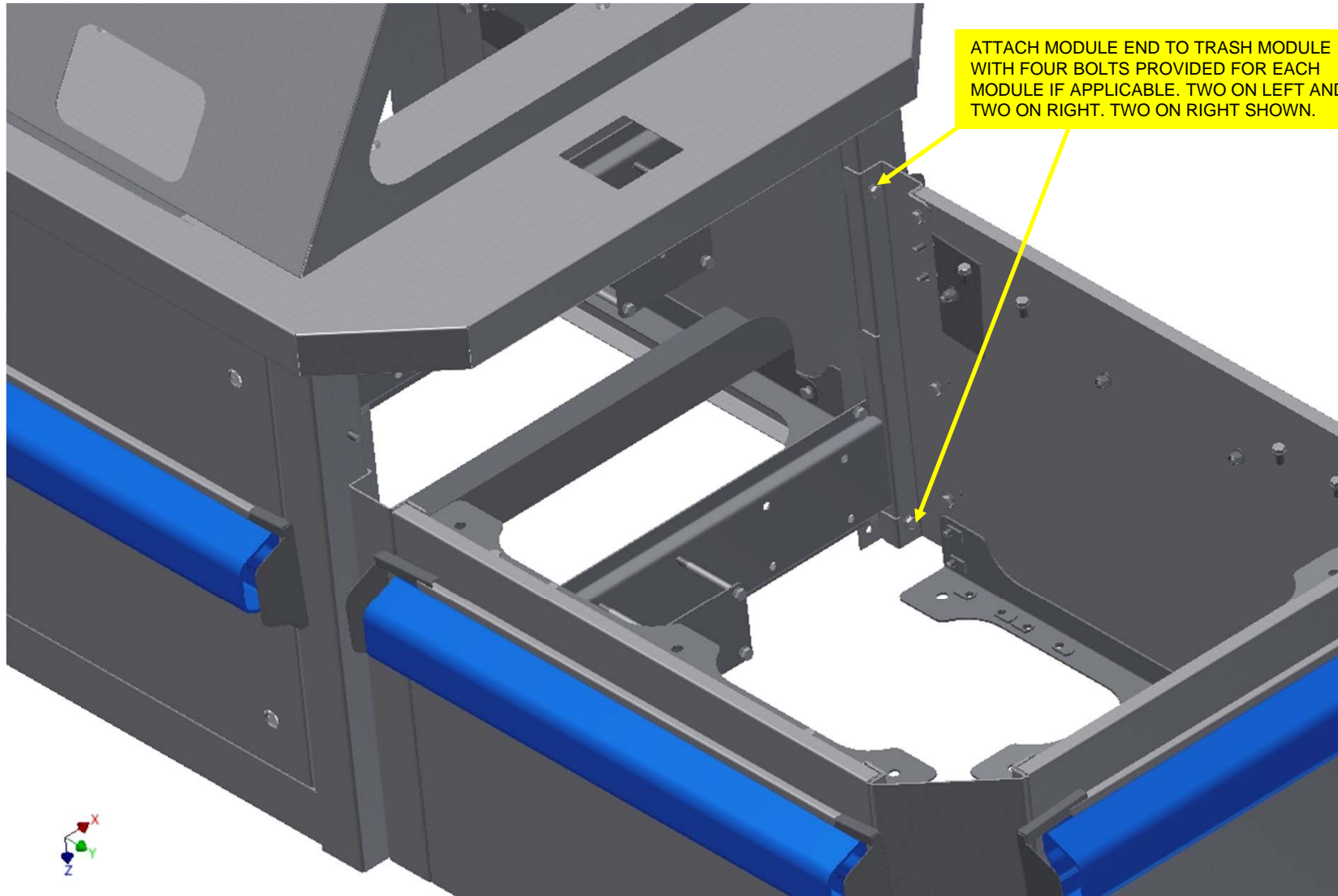
12ft Assembly Instructions:

- Below is the mounting pattern for the two end caps and trash module mounting Dimensions.
- It is recommend that the island be placed on a hard level surface such as a concrete pad or concrete parking lot.
- The island is shipped in three sections. The trash module and the 2 vacuum mounting platforms. It is recommend that you start with the trash module. All hardware to connect sections are supplied.
- Mark all mounting hole locations. Drill for anchors or use concrete screws to mount in place. We recommend using 3/8" concrete anchors but please follow all local building codes that may be in place for your location for installing such equipment.
- Before bolting all the pieces to the ground assemble the ends to the trash module and make sure everything fits properly and then fasten to the concrete.
- Make sure electrical is stubbed up in the locations shown below. Remember three services will be required of each island assembly. (2) services for the units and (1) service for the lighting.
- The instructions above are just recommendations only.



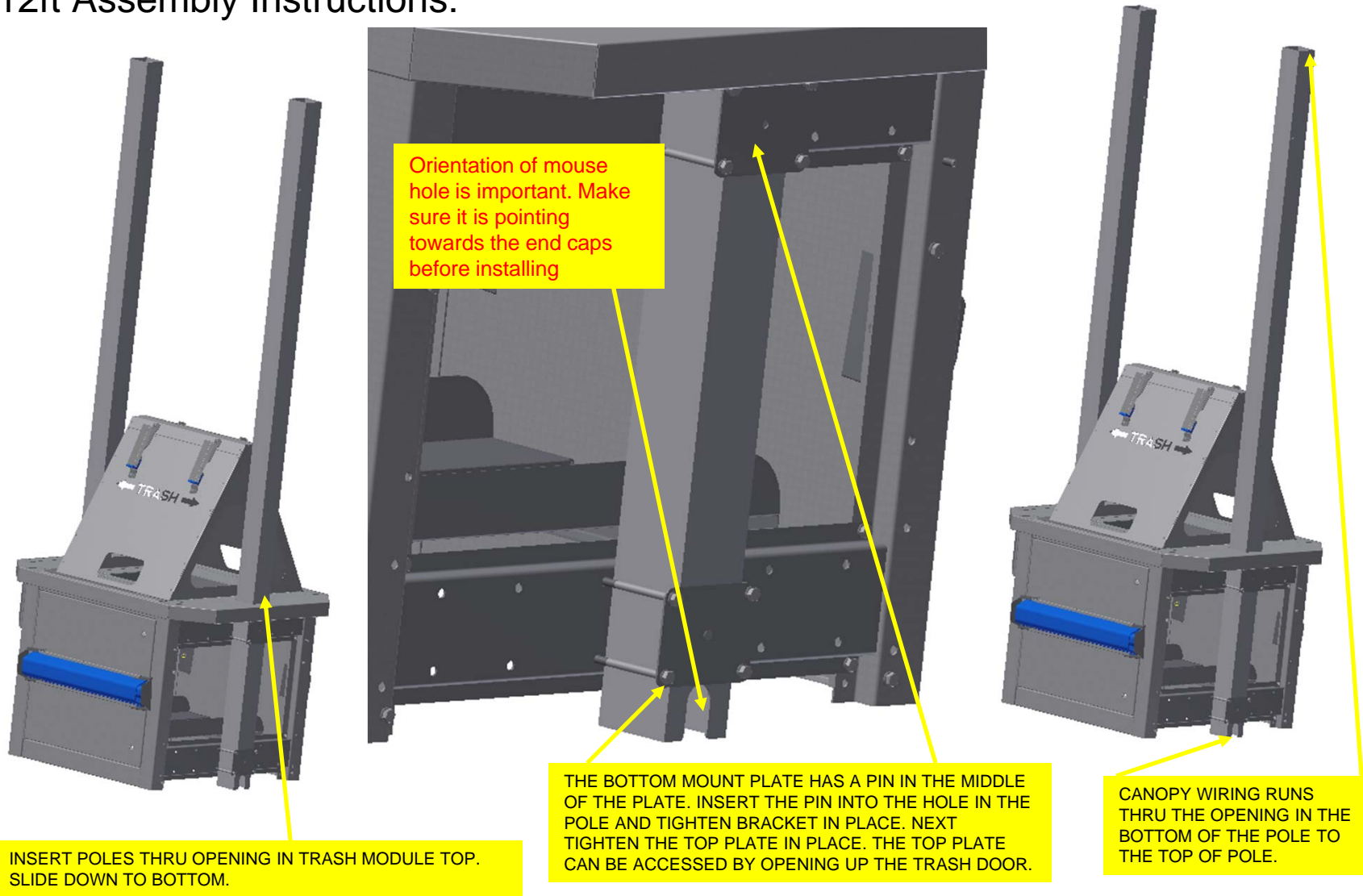
All dimensions are in inches

12ft Assembly Instructions:



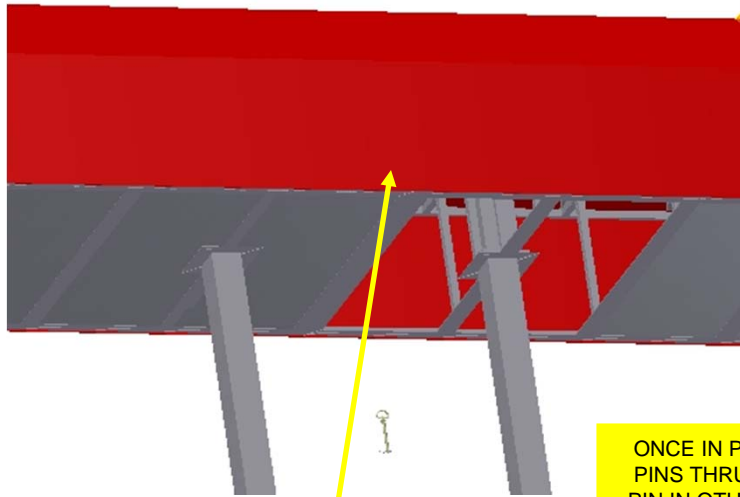
SOME STRUCTURE HAS BEEN REMOVED FROM VIEW TO SHOW MOUNTING BOLTS

12ft Assembly Instructions:



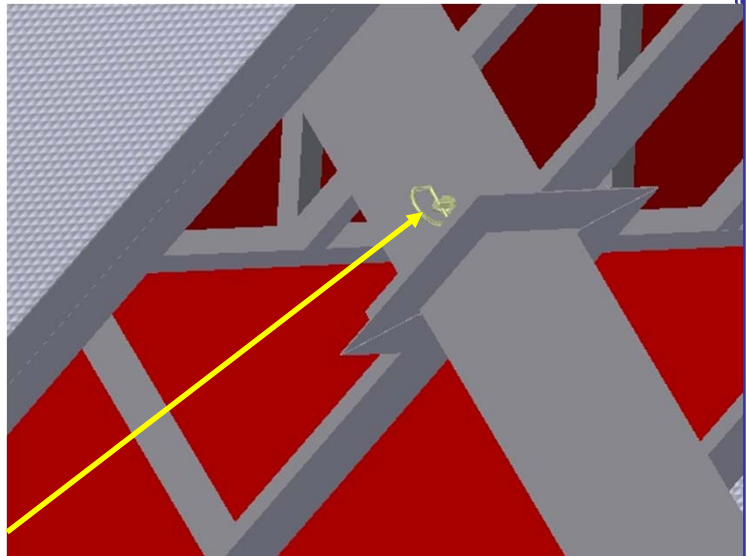
IEWS SHOWN WITHOUT VACUUM MODULES ATTACHED

12ft Assembly Instructions:



SLIDE CANOPY DOWN ONTO POLES

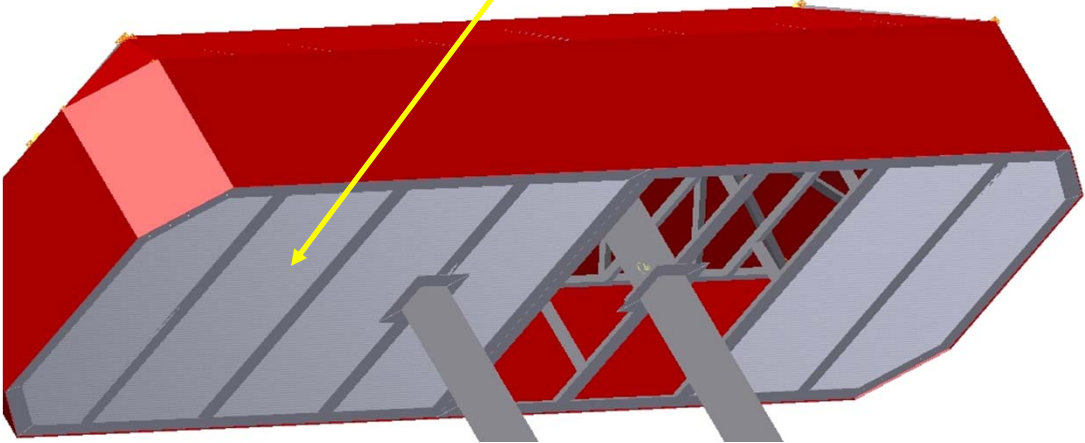
ONCE IN PLACE INSERT PUSH PINS THRU HOLE AND INSERT PIN IN OTHER SIDE TO ATTACH CANOPY TO POLES.



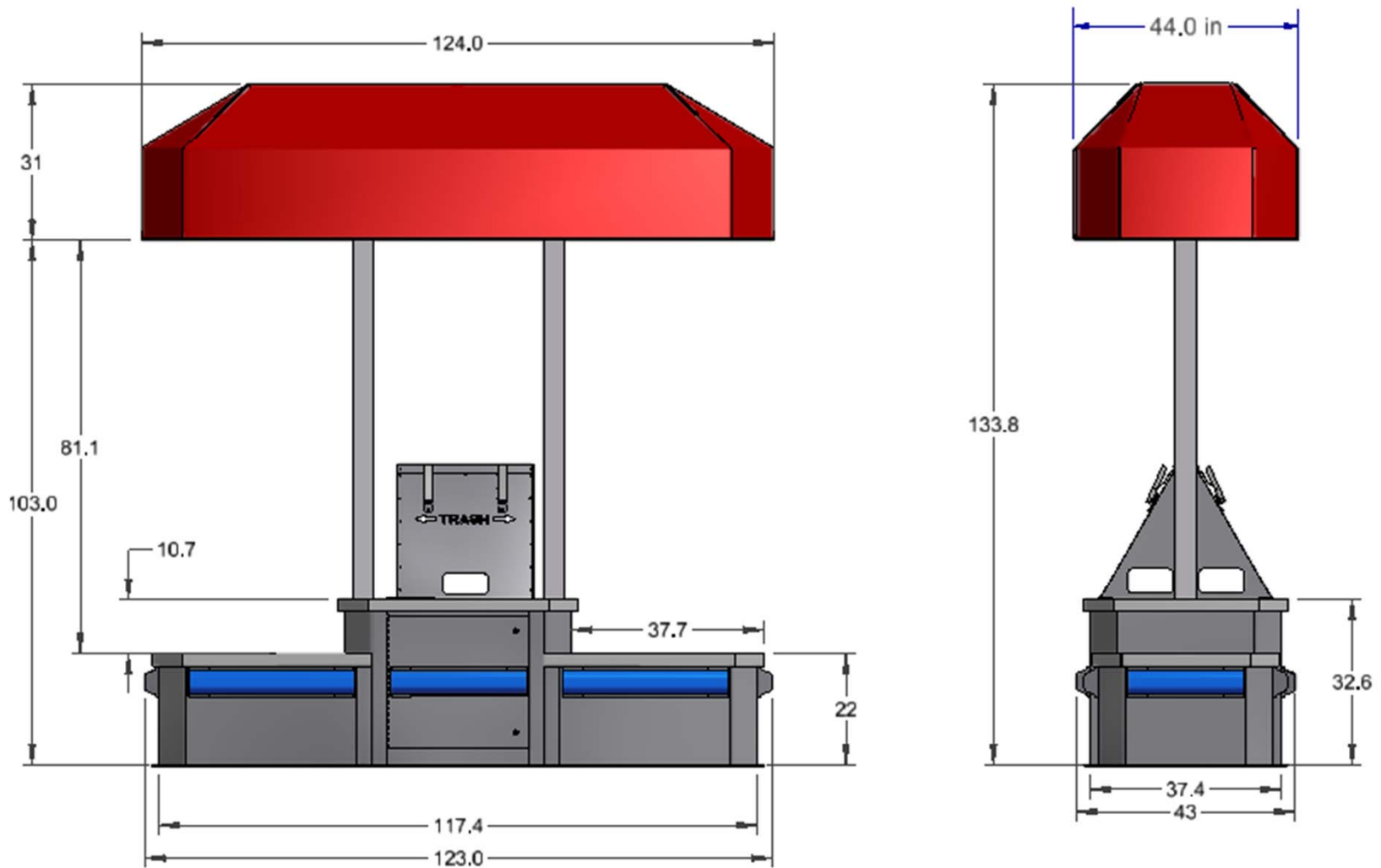
INSERT GRATE PANELS INTO PLACE ONCE INSTALLED AND ELECTRICAL IS FINISHED



CONNECT CANOPY LIGHTING WIRES TO INCOMING POWER. EACH LIGHT HAS A CONNECT COMING OFF IT THAT LOOKS LIKE THIS. THE 120VAC HOT LEG IN MARKED AS BLACK. SEE WIRE INFO IN MANUAL FOR A GENERAL WIRE CONFIGURATION



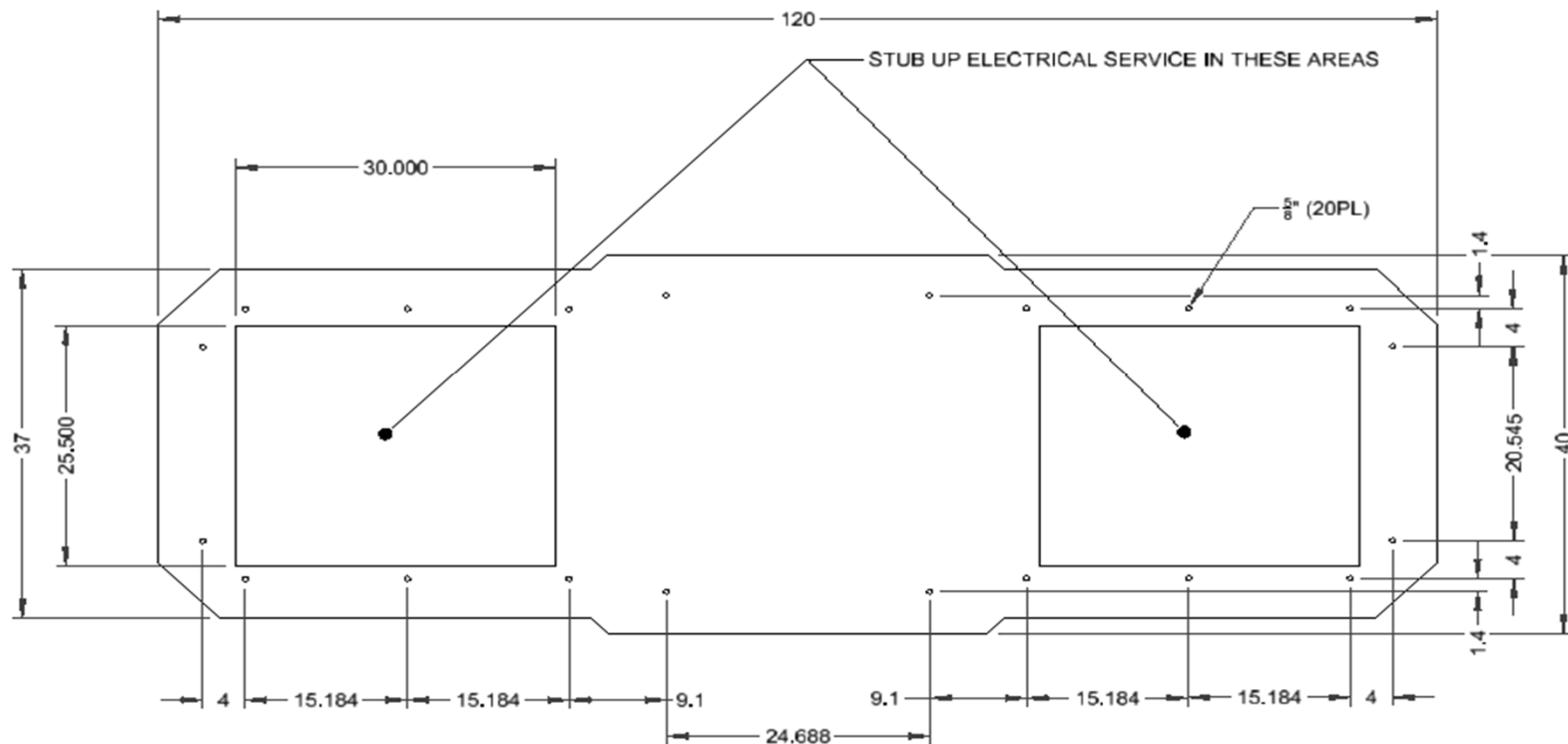
Assembled Dimensions- 10ft Island with Canopy



All dimensions are in inches

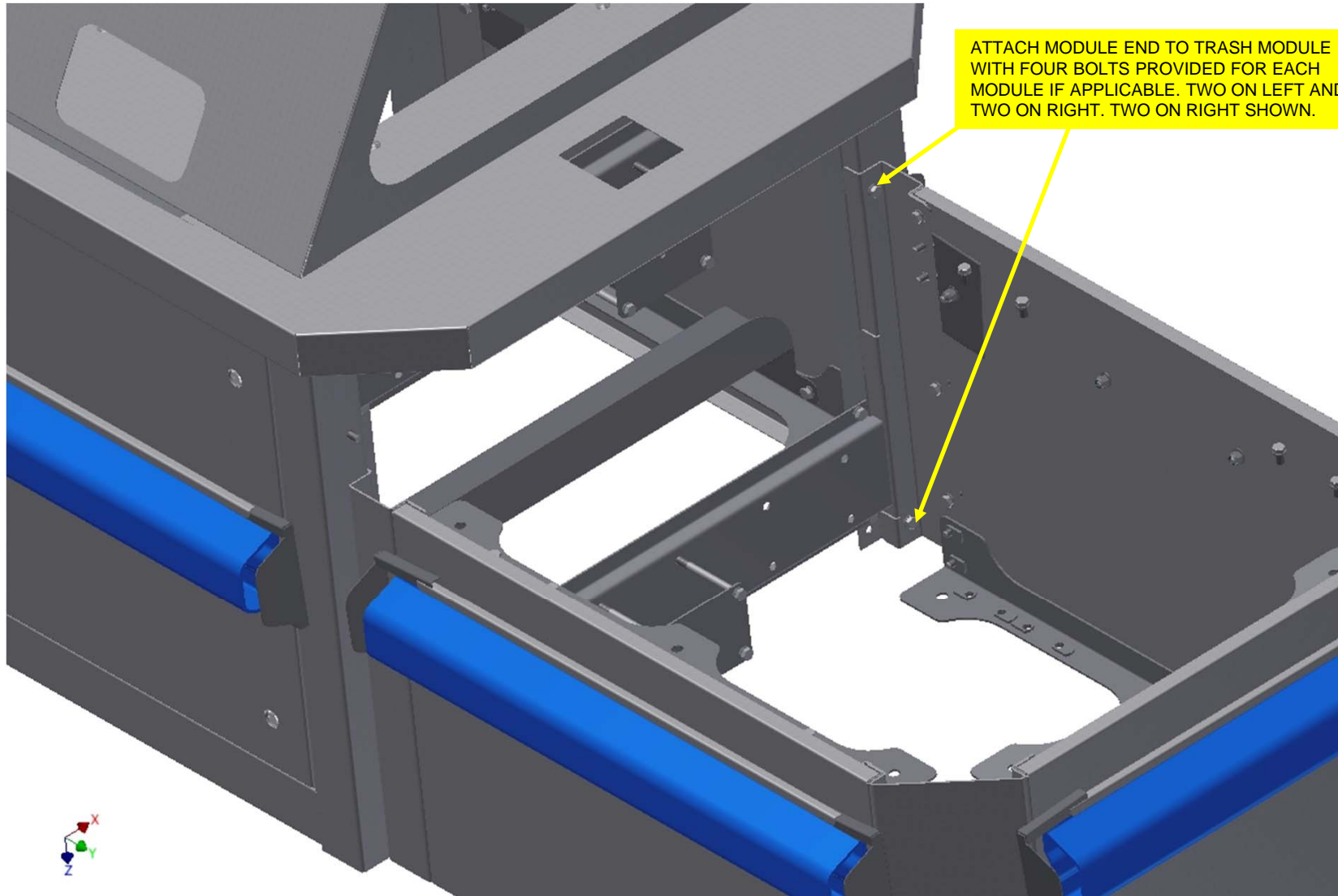
10ft Assembly Instructions:

- Below is the mounting pattern for the two end caps and trash module mounting Dimensions.
- It is recommend that the island be placed on a hard level surface such as a concrete pad or concrete parking lot.
- The island is shipped in three sections. The trash module and the 2 vacuum mounting platforms. It is recommend that you start with the trash module. All hardware to connect sections are supplied.
- Mark all mounting hole locations. Drill for anchors or use concrete screws to mount in place. We recommend using 3/8" concrete anchors but please follow all local building codes that may be in place for your location for installing such equipment.
- Before bolting all the pieces to the ground assemble the ends to the trash module and make sure everything fits properly and then fasten to the concrete.
- Make sure electrical is stubbed up in the locations shown below. Remember three services will be required of each island assembly. (2) services for the units and (1) service for the lighting.
- The instructions above are just recommendations only.



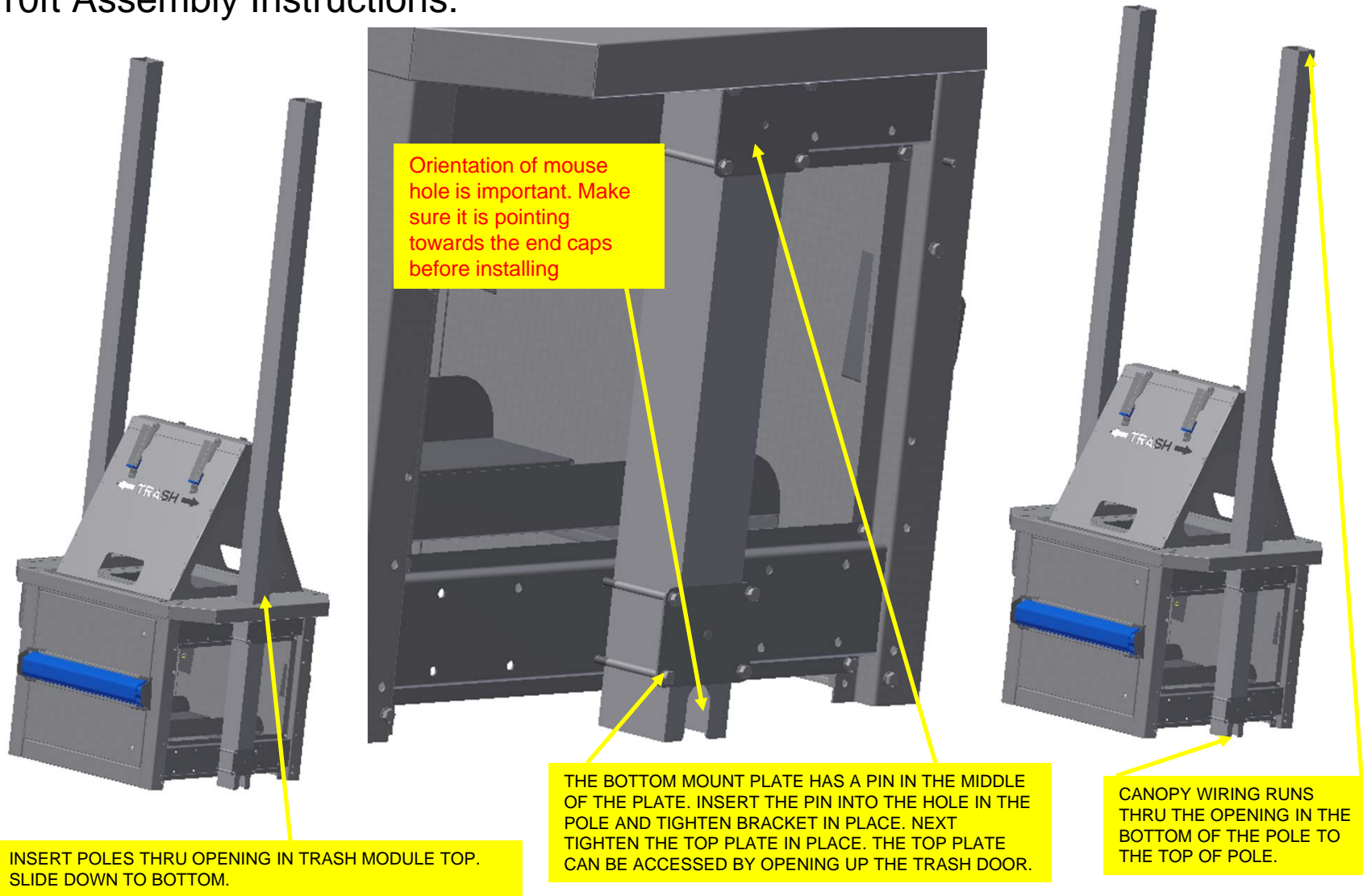
All dimensions are in inches

10ft Assembly Instructions:



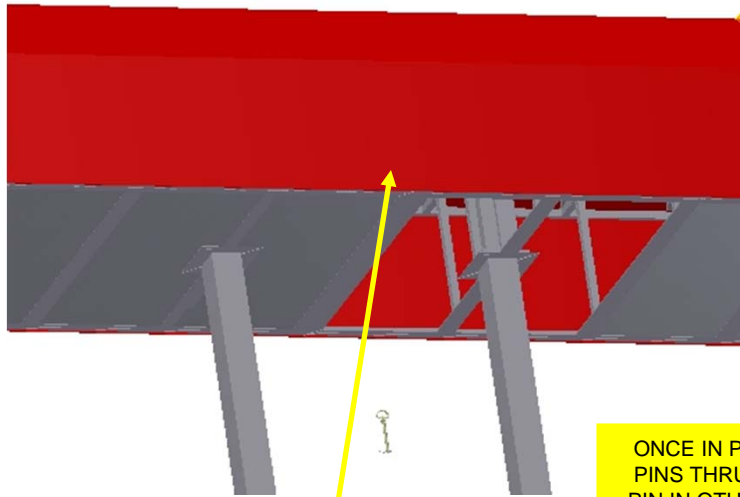
SOME STRUCTURE HAS BEEN REMOVED FROM VIEW TO SHOW MOUNTING BOLTS

10ft Assembly Instructions:



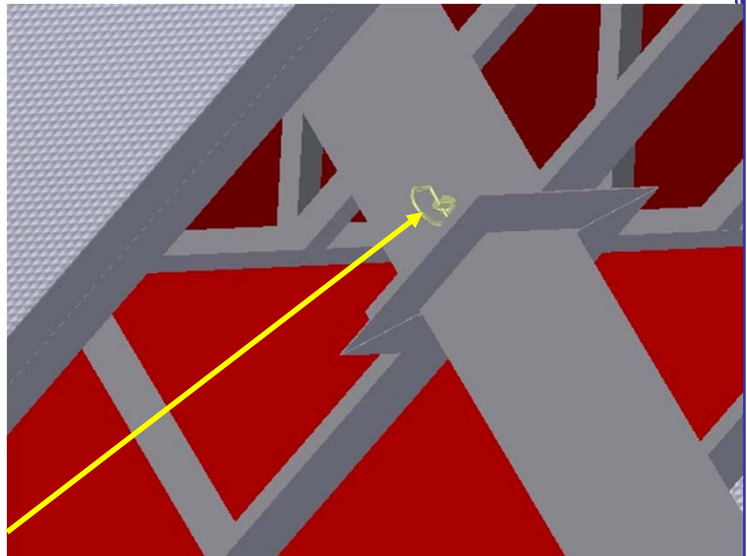
IEWS SHOWN WITHOUT VACUUM MODULES ATTACHED

10ft Assembly Instructions:



SLIDE CANOPY DOWN ONTO POLES

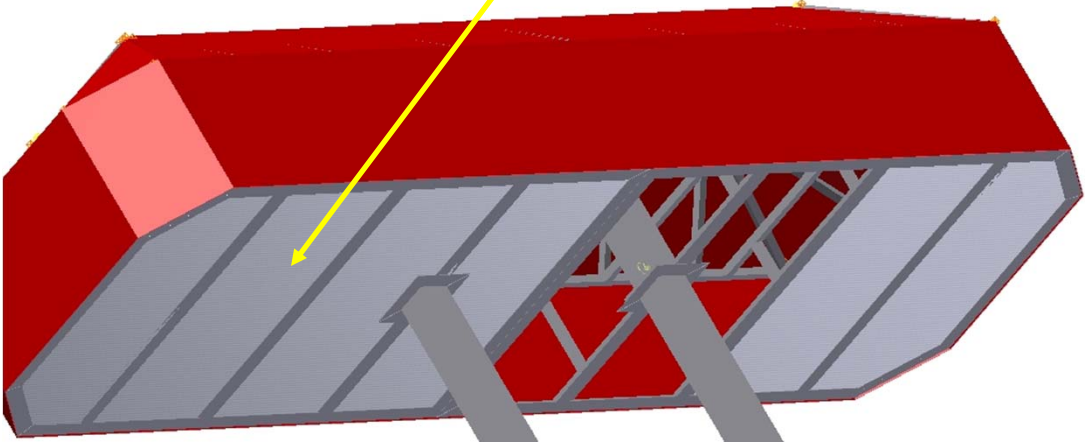
ONCE IN PLACE INSERT PUSH PINS THRU HOLE AND INSERT PIN IN OTHER SIDE TO ATTACH CANOPY TO POLES.



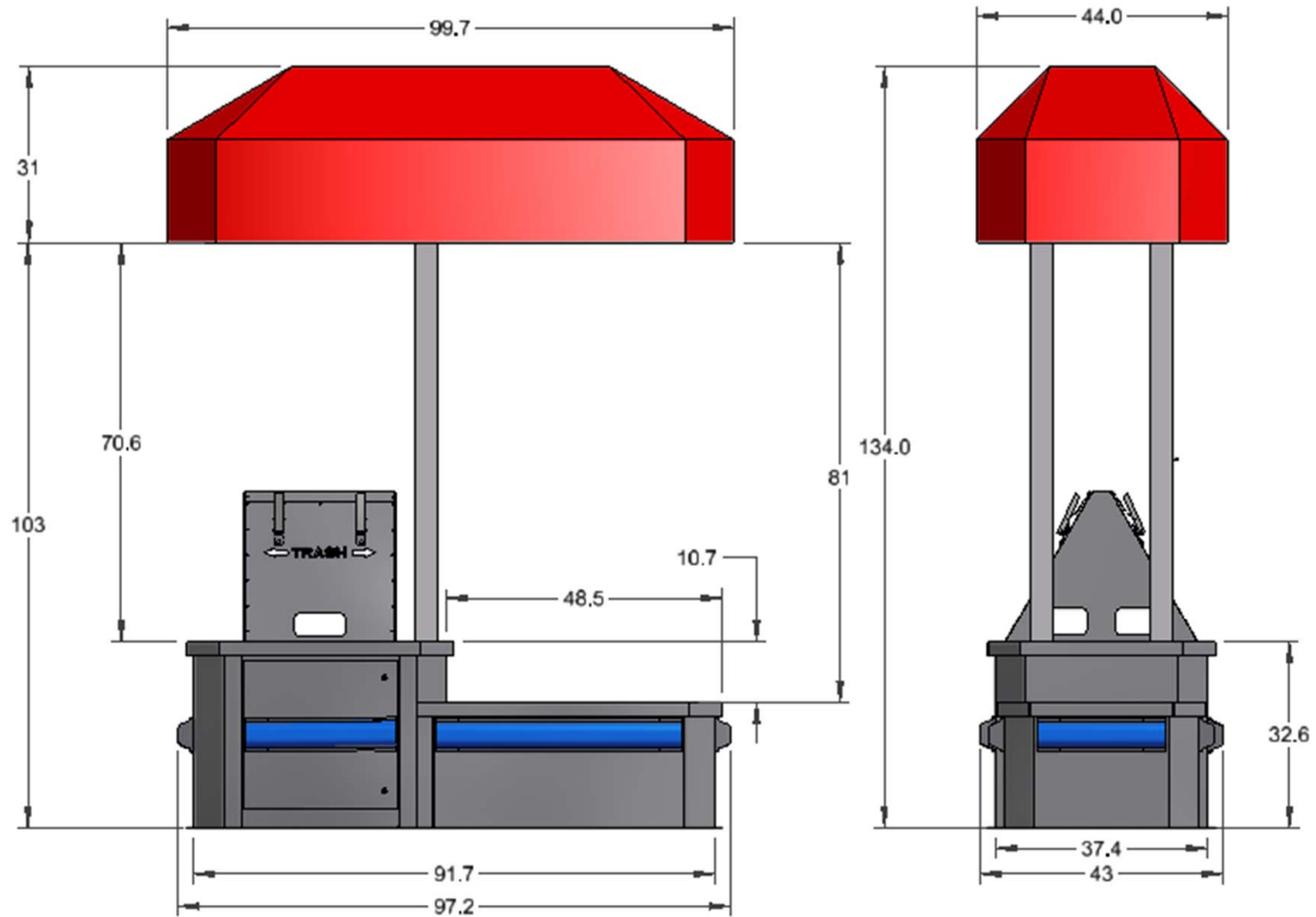
INSERT GRATE PANELS INTO PLACE ONCE INSTALLED AND ELECTRICAL IS FINISHED



CONNECT CANOPY LIGHTING WIRES TO INCOMING POWER. EACH LIGHT HAS A CONNECT COMING OFF IT THAT LOOKS LIKE THIS. THE 120VAC HOT LEG IN MARKED AS BLACK. SEE WIRE INFO IN MANUAL FOR A GENERAL WIRE CONFIGURATION

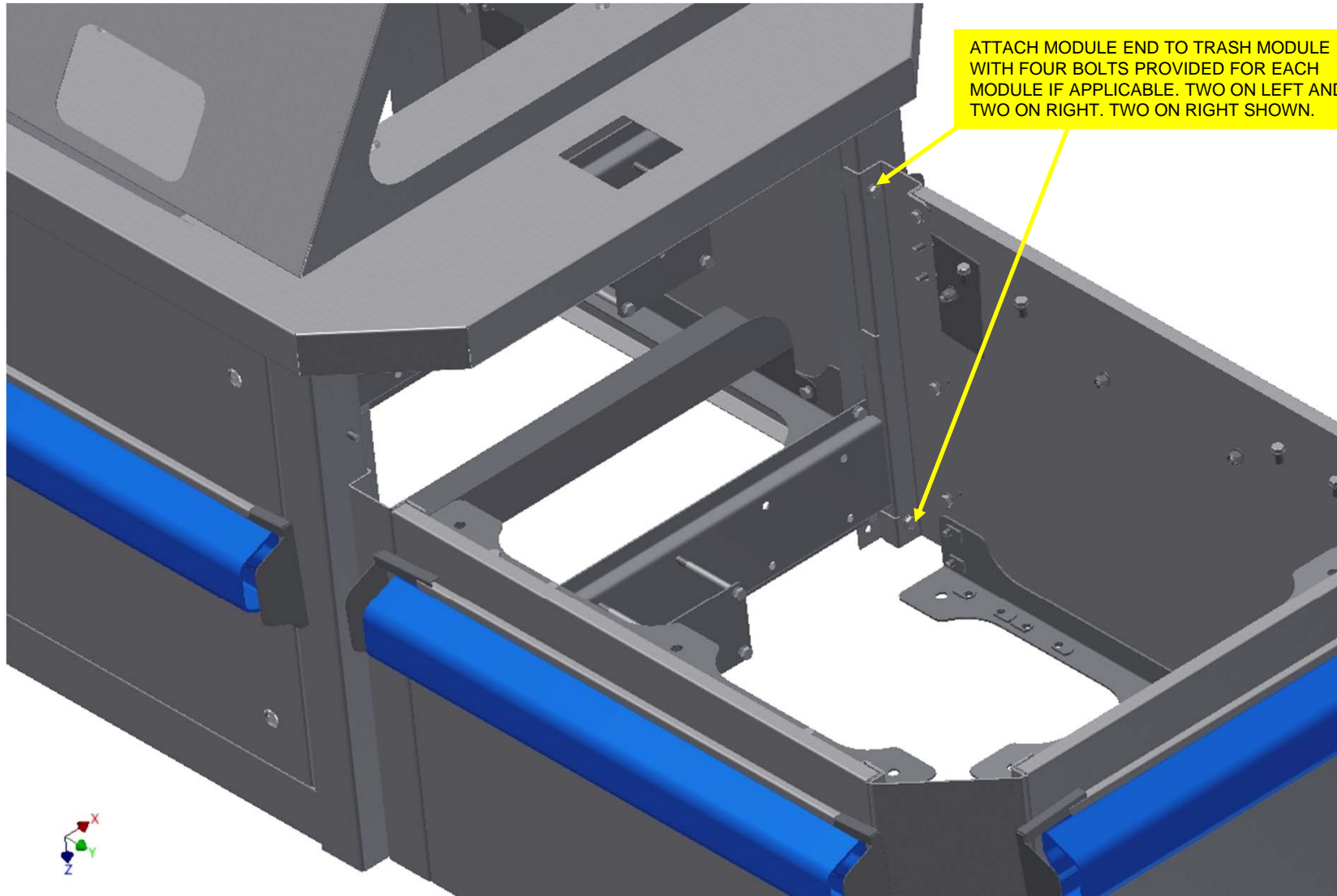


Assembled Dimensions- 8ft Island with Canopy



All dimensions are in inches

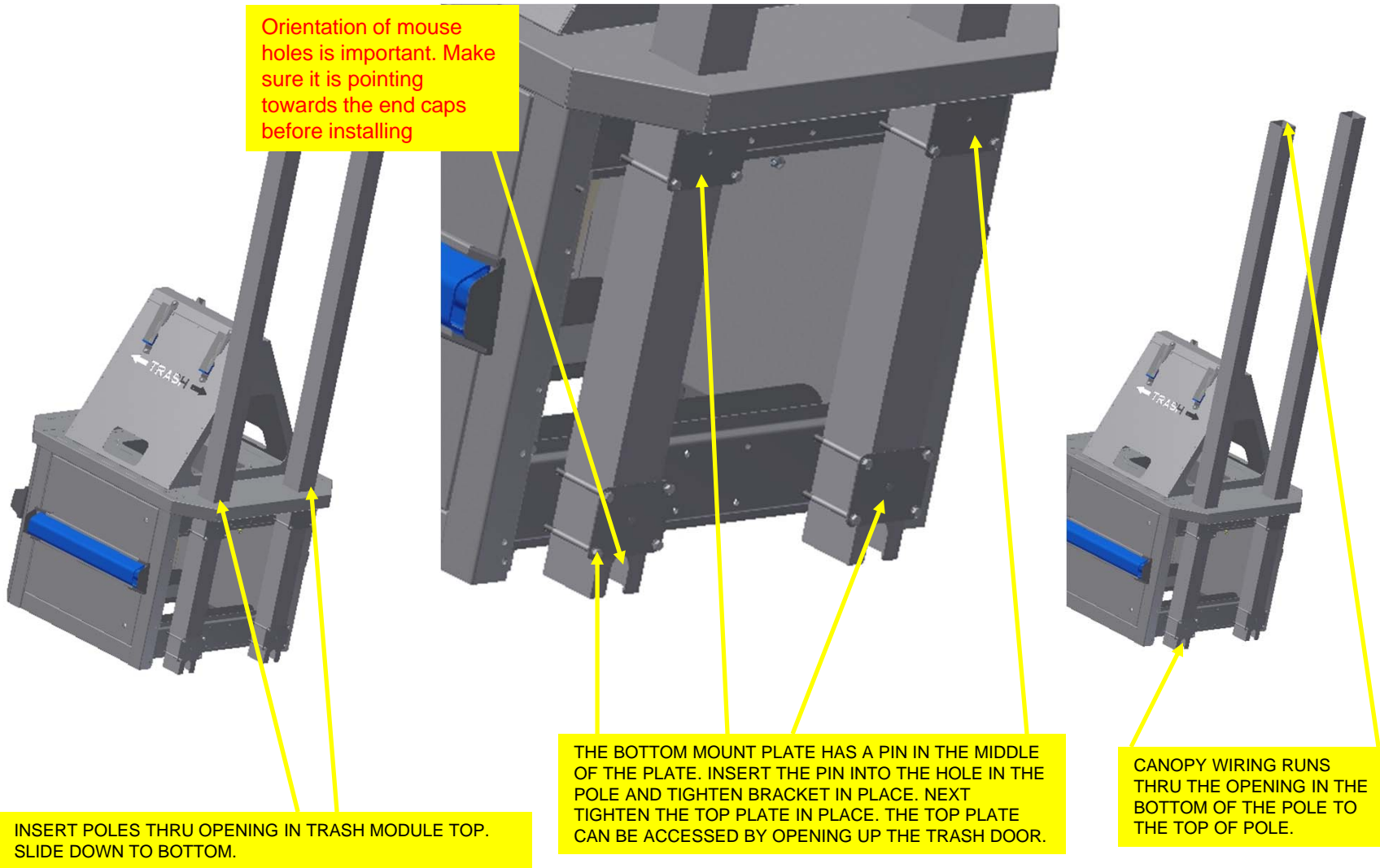
8ft Assembly Instructions:



SOME STRUCTURE HAS BEEN REMOVED FROM VIEW TO SHOW MOUNTING BOLTS

8ft Assembly Instructions:

Orientation of mouse holes is important. Make sure it is pointing towards the end caps before installing



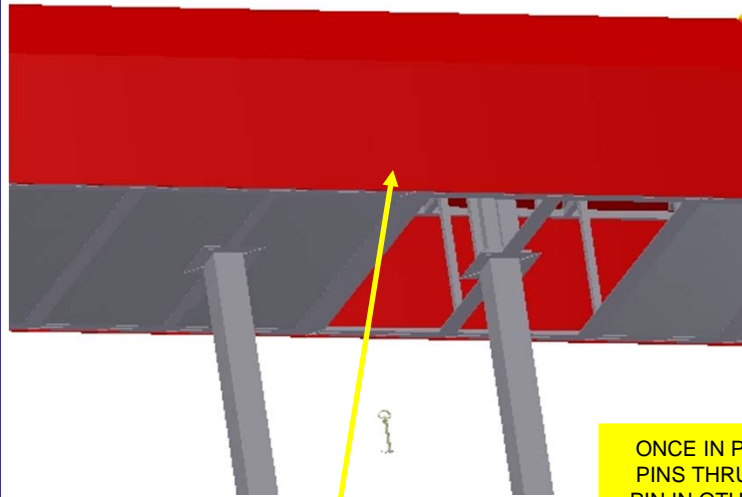
INSERT POLES THRU OPENING IN TRASH MODULE TOP. SLIDE DOWN TO BOTTOM.

THE BOTTOM MOUNT PLATE HAS A PIN IN THE MIDDLE OF THE PLATE. INSERT THE PIN INTO THE HOLE IN THE POLE AND TIGHTEN BRACKET IN PLACE. NEXT TIGHTEN THE TOP PLATE IN PLACE. THE TOP PLATE CAN BE ACCESSED BY OPENING UP THE TRASH DOOR.

CANOPY WIRING RUNS THRU THE OPENING IN THE BOTTOM OF THE POLE TO THE TOP OF POLE.

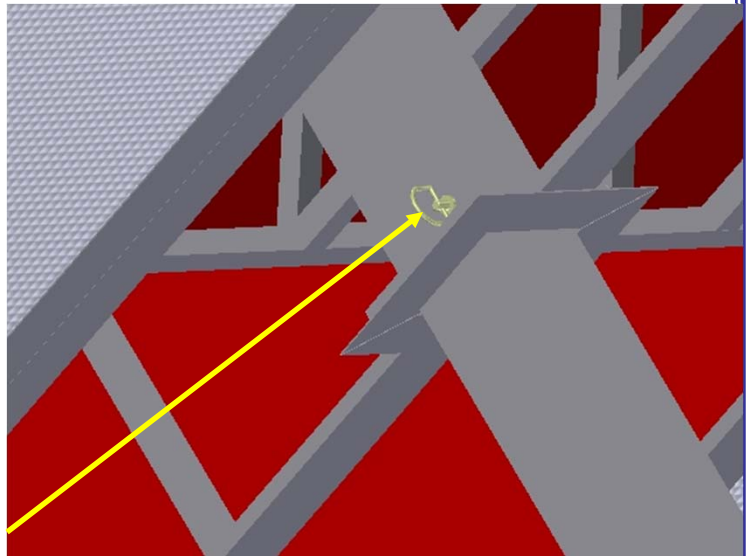
IEWS SHOWN WITHOUT VACUUM MODULES ATTACHED

8ft Assembly Instructions:



SLIDE CANOPY DOWN ONTO POLES

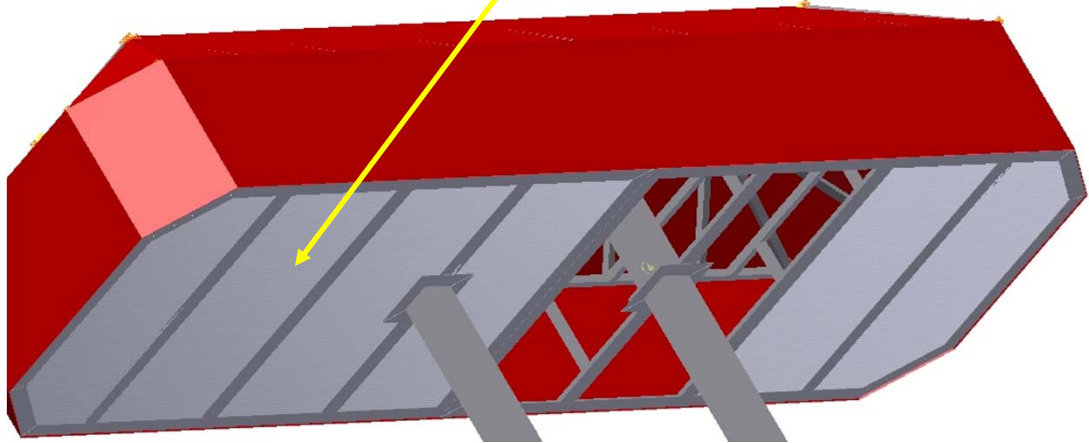
ONCE IN PLACE INSERT PUSH PINS THRU HOLE AND INSERT PIN IN OTHER SIDE TO ATTACH CANOPY TO POLES.



INSERT GRATE PANELS INTO PLACE ONCE INSTALLED AND ELECTRICAL IS FINISHED

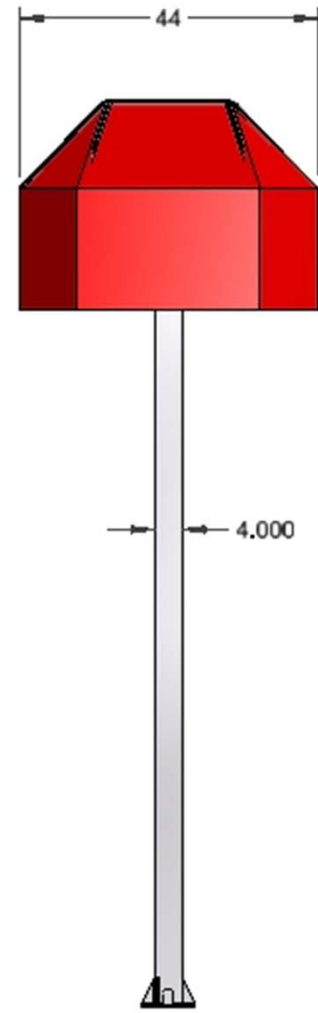
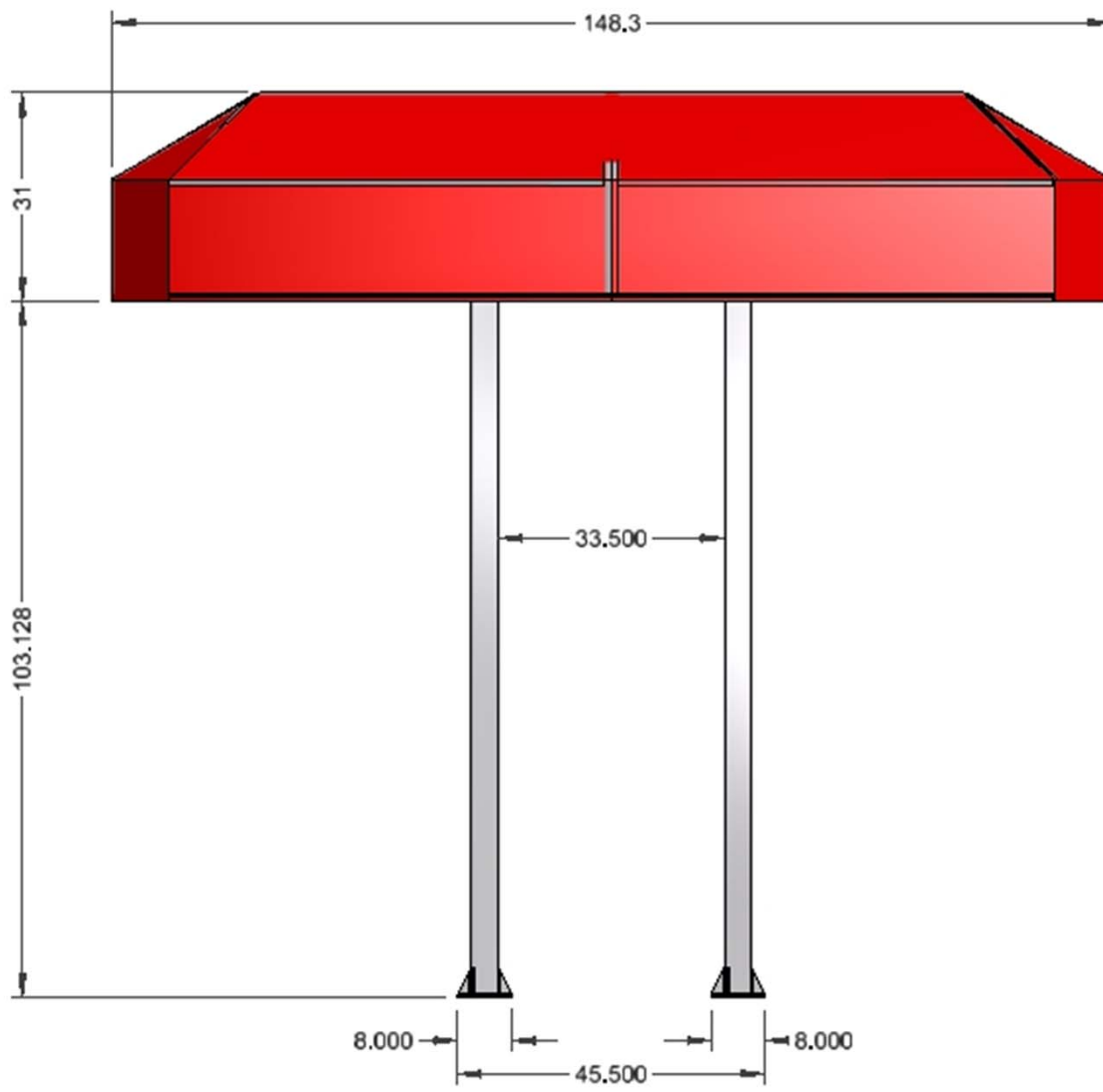


CONNECT CANOPY LIGHTING WIRES TO INCOMING POWER. EACH LIGHT HAS A CONNECT COMING OFF IT THAT LOOKS LIKE THIS. THE 120VAC HOT LEG IS MARKED AS BLACK. SEE WIRE INFO IN MANUAL FOR A GENERAL WIRE CONFIGURATION



PICTURES SHOWN ARE NOT OF THE 8FT BUT REPRESENT THE ITEMS NEEDED DURING ASSEMBLY

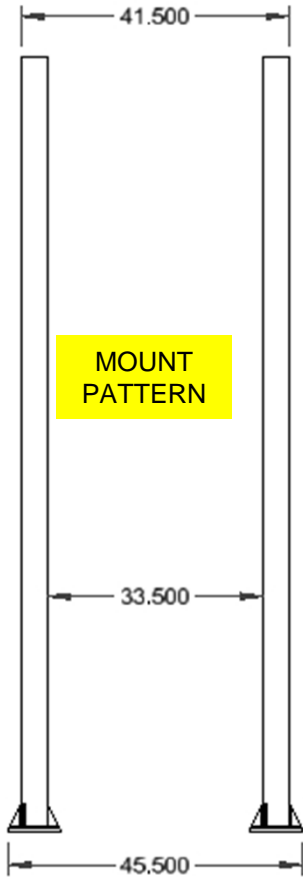
Assembled Dimensions- 12ft canopy No island



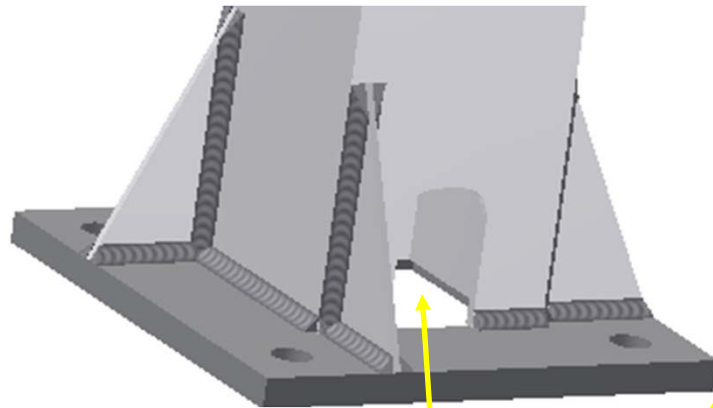
All dimensions are in inches

12ft Canopy Assembly Instructions:

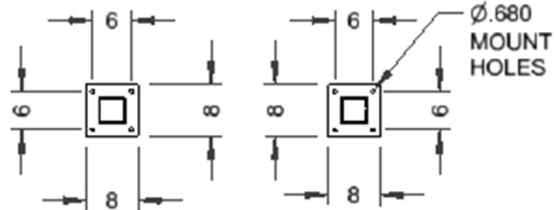
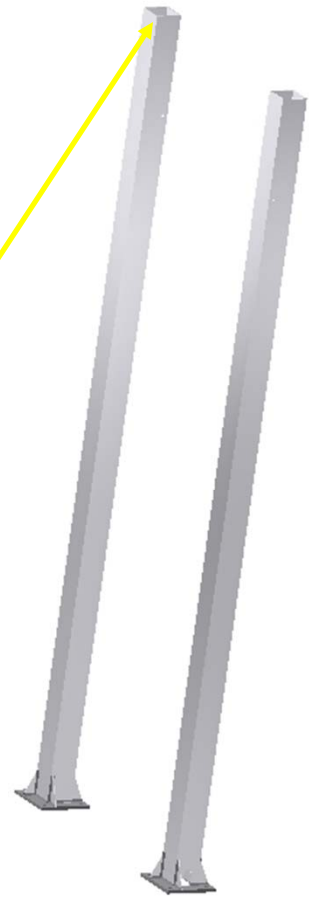
- Mount canopy to a hard level surface.
- 3/8" studs recommended but adhere to all local and state building codes when installing.
- Mark mounting locations and drill holes for anchors to mount.



MOUNT
PATTERN

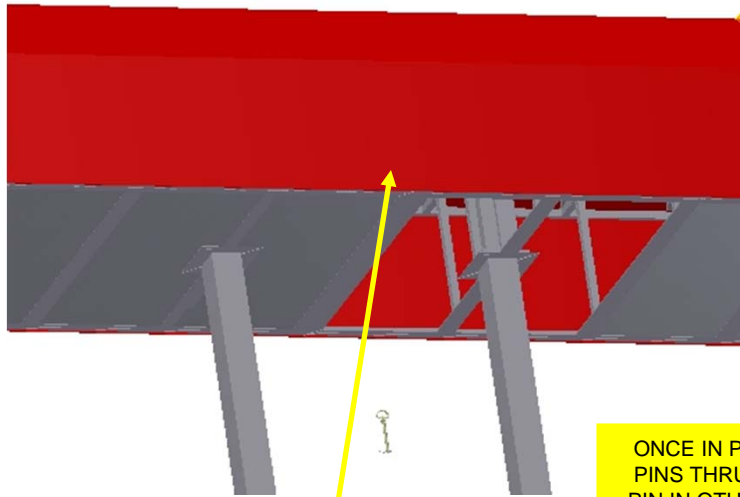


Stub up wire either under pole mount or outside of pole. Depending on the stub up the wire will run thru here up to top of pole for canopy lighting.



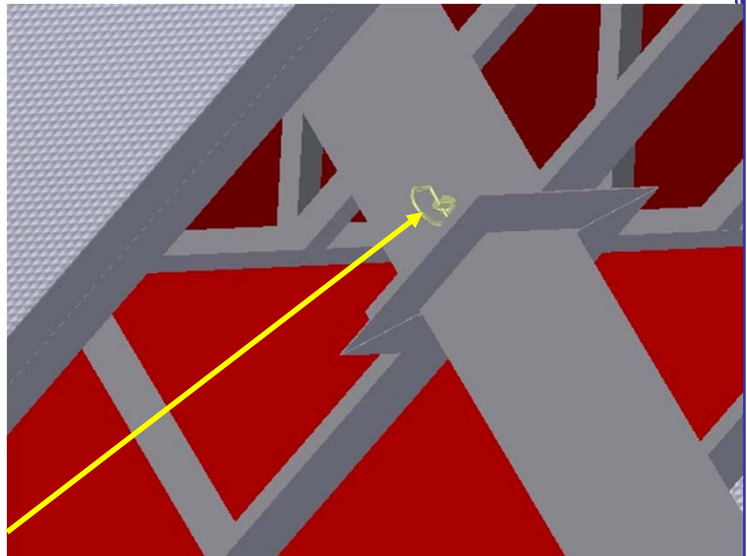
All dimensions are in inches

12ft Canopy Assembly Instructions:



SLIDE CANOPY DOWN ONTO POLES

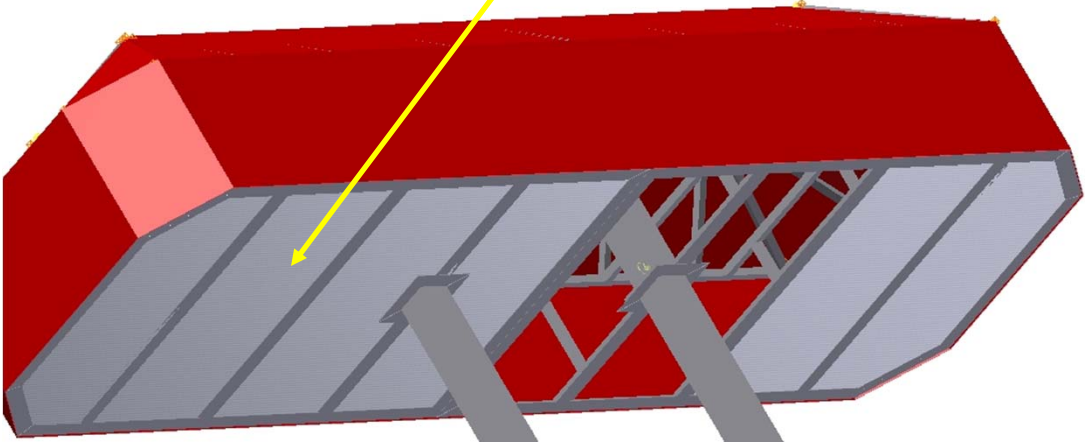
ONCE IN PLACE INSERT PUSH PINS THRU HOLE AND INSERT PIN IN OTHER SIDE TO ATTACH CANOPY TO POLES.



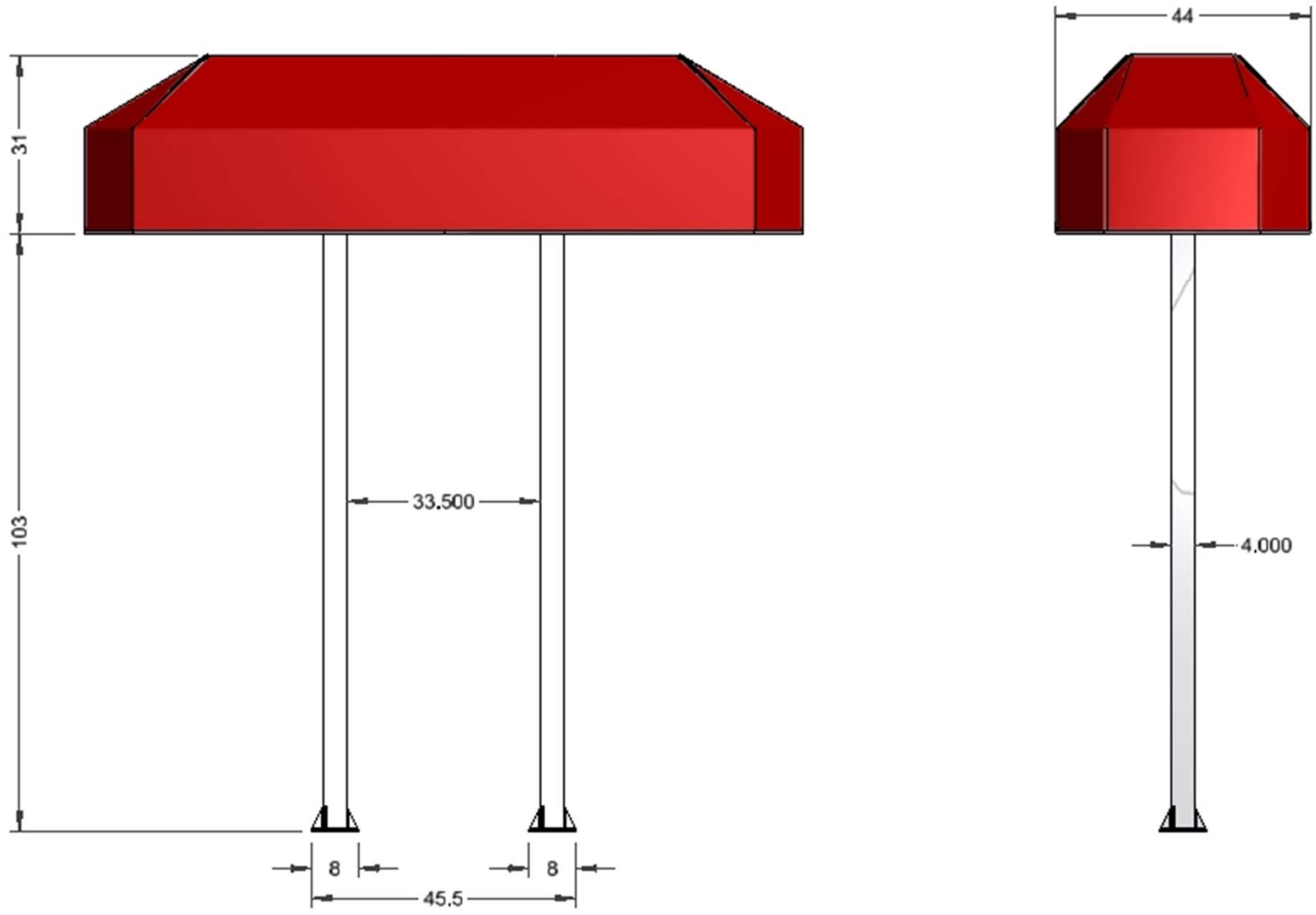
INSERT GRATE PANELS INTO PLACE ONCE INSTALLED AND ELECTRICAL IS FINISHED



CONNECT CANOPY LIGHTING WIRES TO INCOMING POWER. EACH LIGHT HAS A CONNECT COMING OFF IT THAT LOOKS LIKE THIS. THE 120VAC HOT LEG IN MARKED AS BLACK. SEE WIRE INFO IN MANUAL FOR A GENERAL WIRE CONFIGURATION



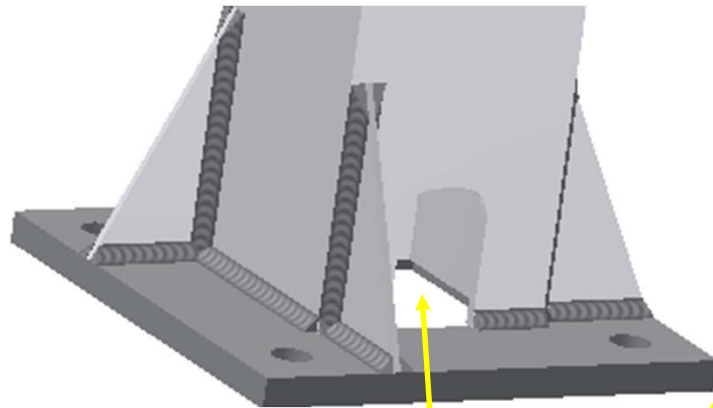
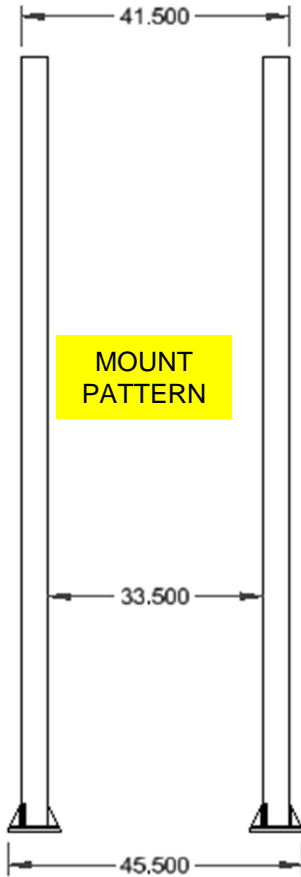
Assembled Dimensions- 10ft canopy No island



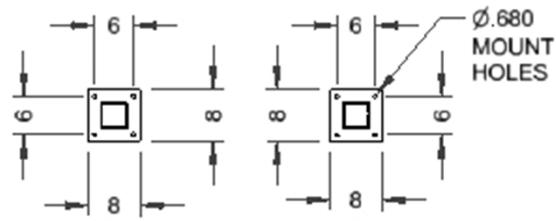
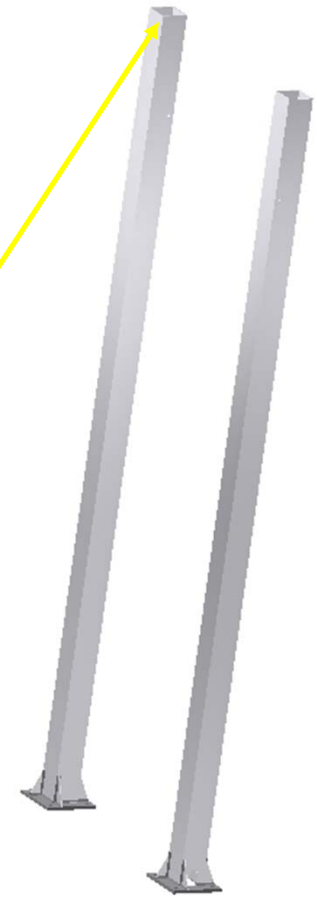
All dimensions are in inches

10ft Canopy Assembly Instructions:

- Mount canopy to a hard level surface.
- 3/8" studs are recommended but adhere to all local and state building codes when installing.
- Mark mounting locations and drill holes for anchors to mount.

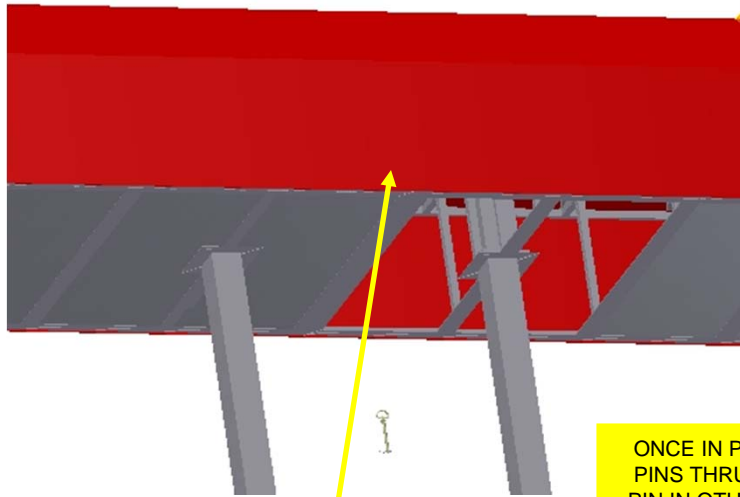


Stub up wire either under pole mount or outside of pole. Depending on the stub up the wire will run thru here up to top of pole for canopy lighting.



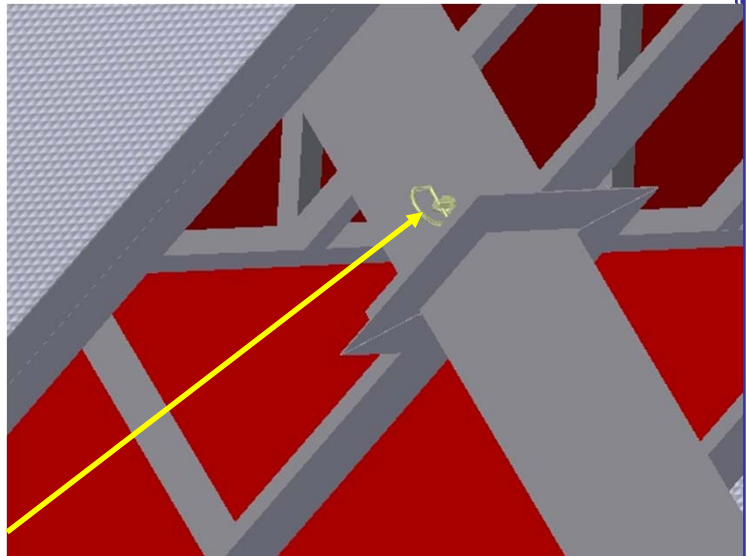
All dimensions are in inches

10ft Canopy Assembly Instructions:



SLIDE CANOPY DOWN ONTO POLES

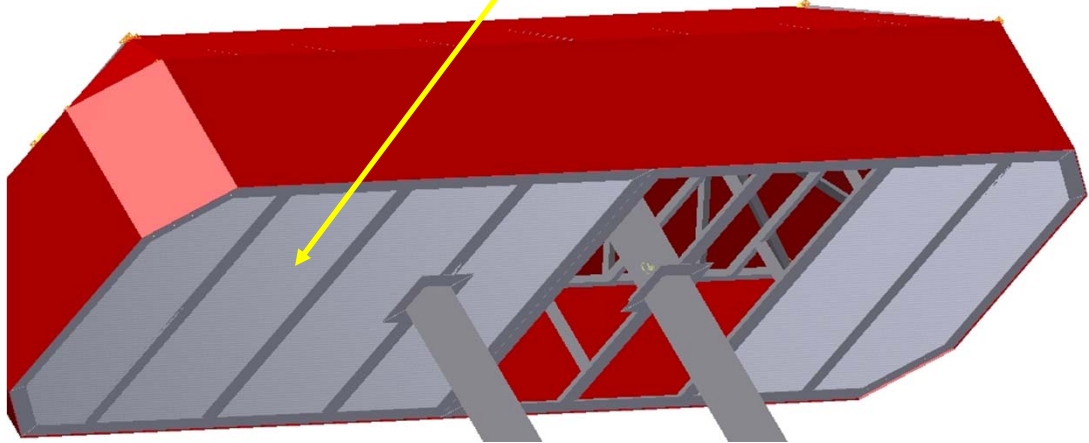
ONCE IN PLACE INSERT PUSH PINS THRU HOLE AND INSERT PIN IN OTHER SIDE TO ATTACH CANOPY TO POLES.



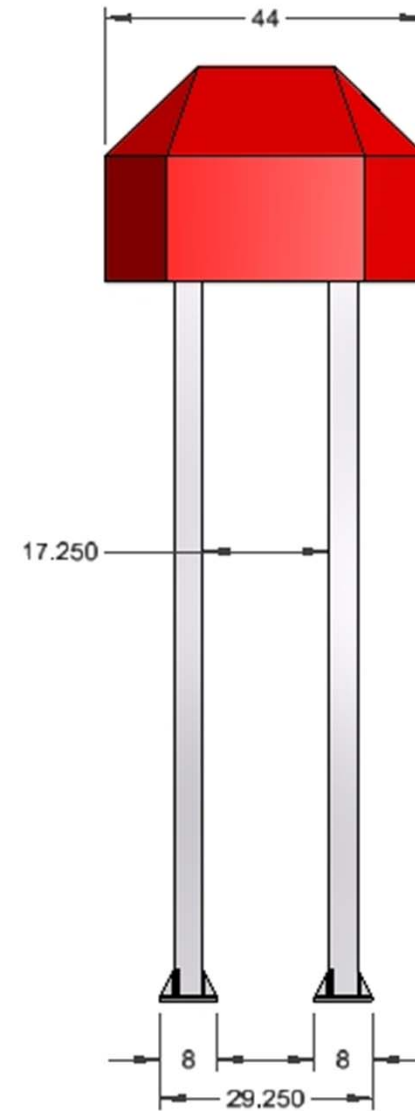
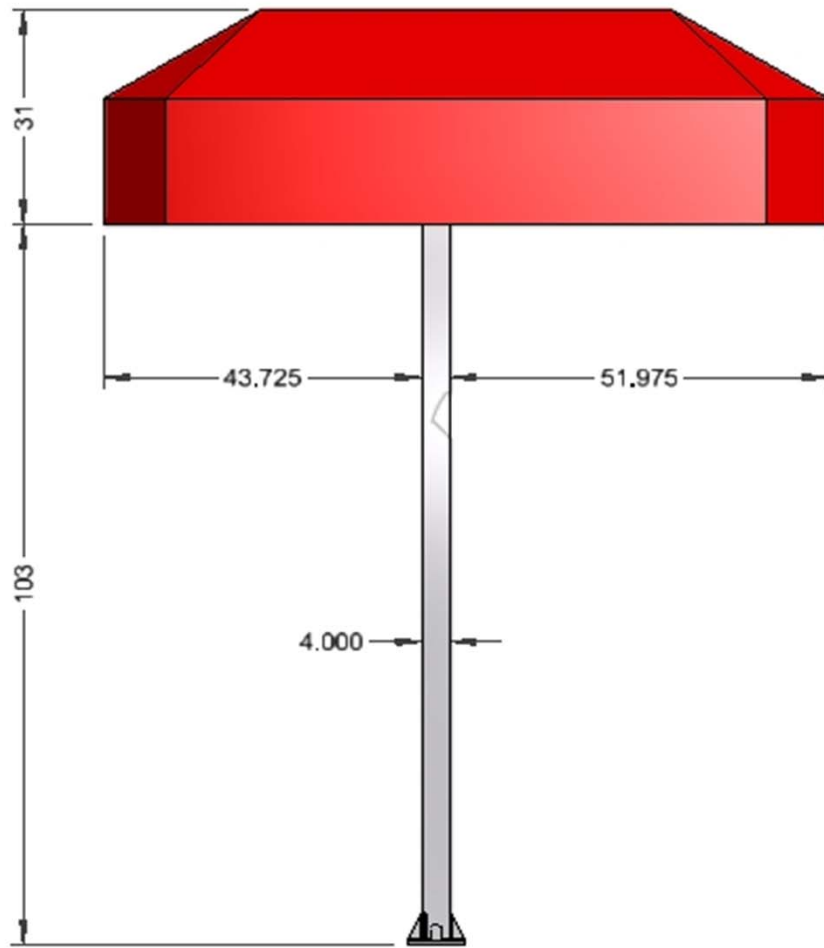
INSERT GRATE PANELS INTO PLACE ONCE INSTALLED AND ELECTRICAL IS FINISHED



CONNECT CANOPY LIGHTING WIRES TO INCOMING POWER. EACH LIGHT HAS A CONNECT COMING OFF IT THAT LOOKS LIKE THIS. THE 120VAC HOT LEG IS MARKED AS BLACK. SEE WIRE INFO IN MANUAL FOR A GENERAL WIRE CONFIGURATION

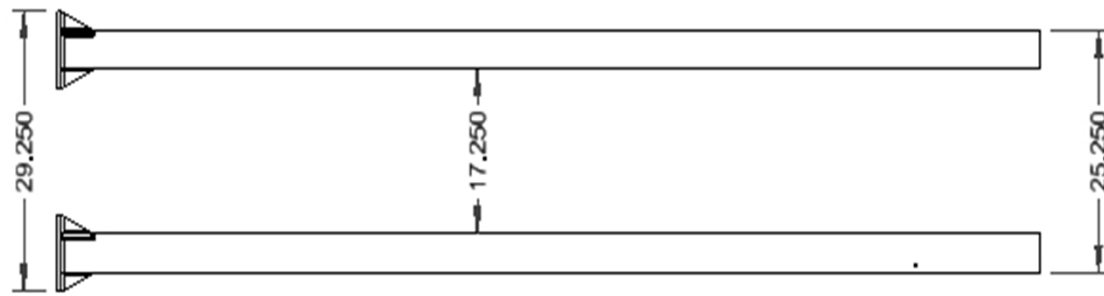
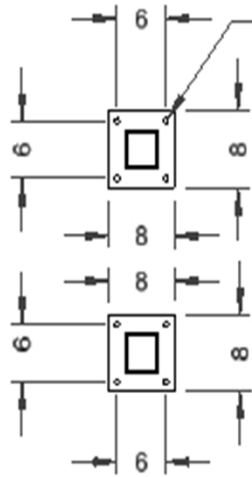


Assembled Dimensions- 8ft canopy No island

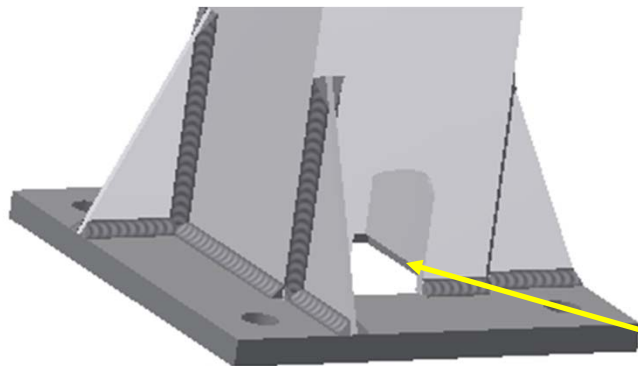


All dimensions are in inches

8ft Canopy Assembly Instructions:



- Mount canopy to a hard level surface.
- 3/8" studs are recommended but adhere to all local and state building codes when installing.
- Mark mounting locations and drill holes for anchors to mount.

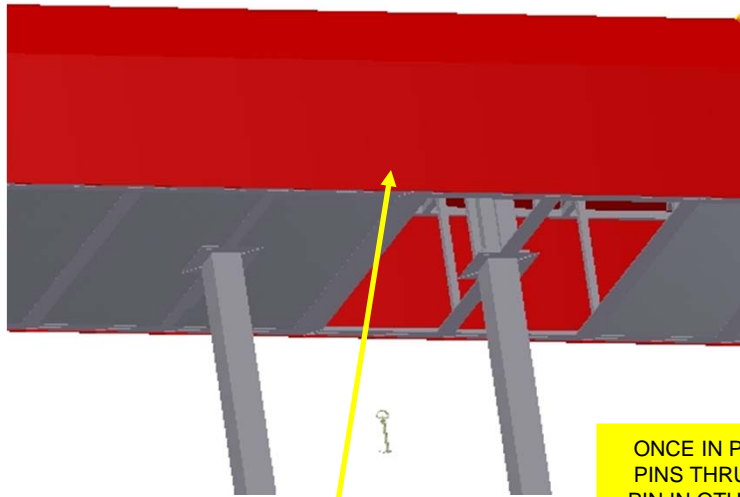


Stub up wire either under pole mount or outside of pole. Depending on the stub up the wire will run thru here up to top of pole for canopy lighting.



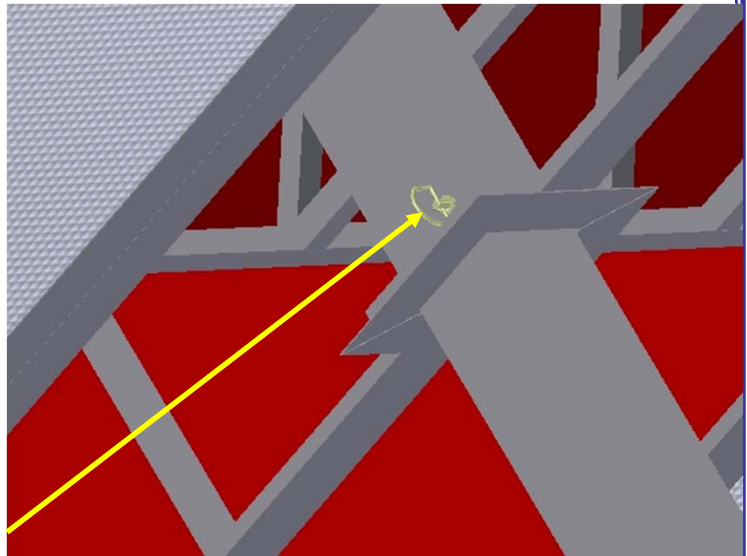
All dimensions are in inches

8ft Canopy Assembly Instructions:



SLIDE CANOPY DOWN ONTO POLES

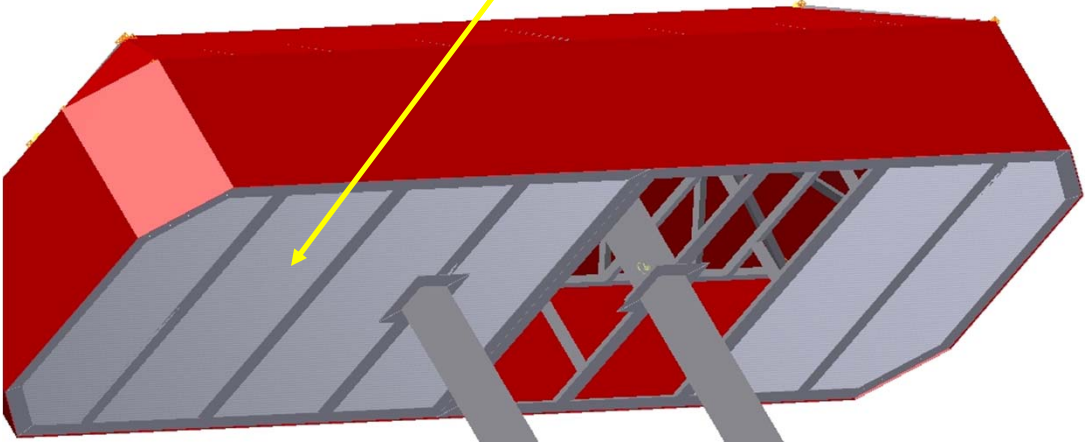
ONCE IN PLACE INSERT PUSH PINS THRU HOLE AND INSERT PIN IN OTHER SIDE TO ATTACH CANOPY TO POLES.



INSERT GRATE PANELS INTO PLACE ONCE INSTALLED AND ELECTRICAL IS FINISHED



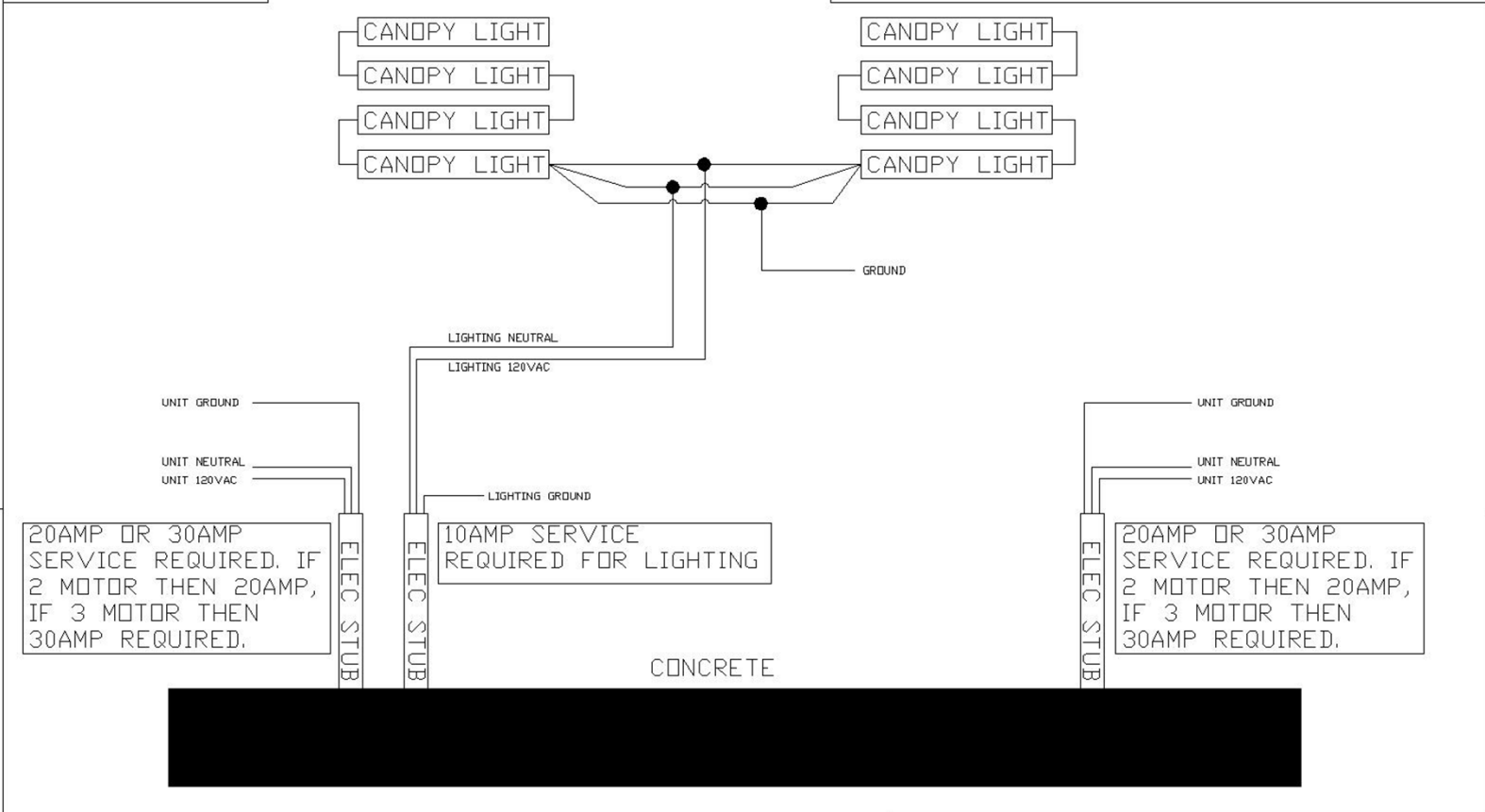
CONNECT CANOPY LIGHTING WIRES TO INCOMING POWER. EACH LIGHT HAS A CONNECT COMING OFF IT THAT LOOKS LIKE THIS. THE 120VAC HOT LEG IN MARKED AS BLACK. SEE WIRE INFO IN MANUAL FOR A GENERAL WIRE CONFIGURATION



PICTURES SHOWN ARE NOT OF THE 8FT BUT REPRESENT THE ITEMS NEEDED DURING ASSEMBLY

PART NOT SHOWN
ISLAND AND CANOPY

THIS DOCUMENT SHALL NOT BE REPRODUCED NOR SHALL THE INFORMATION THEREIN BE USED BY OR DISCLOSED TO OTHERS EXCEPT AS AUTHORIZED BY J.E. ADAMS INDUSTRIES



TITLE
ISLAND & CANOPY GENERAL WIRING

MATERIAL	
UNSPECIFIED TOLERANCES	SCALE
1 PL ±.030	DRAWN BY
2 PL ±.010	DATE
3 PL ±.003	5-16-12
ANGLE ±1.0°	REL. FOR PROD.

CEDAR RAPIDS, IOWA



PART NO. ISLAND & CANOPY REV. A

REV	NO.	DESCRIPTION	DATE	BY
A	8099	CHANGED CANOPY LIGHTS FROM 8920-10 TO 8920-30	10-9-17	CAK